

## 3446 MercuryMaster 1000™

The MercuryMaster 1000™ is the newest innovation to the portable monitor line. This monitor is the smallest and lightest of all 1000 gpm monitors in the firefighting industry. This monitor will free up valuable time at the fire scene with its quick deployment and free up precious space on the fire truck with its compact size.

- Rated flows up to 1000 gpm
- Compact size & weight
- Rotation +/-20°
- Elevation 30° to 60°
- Unmanned use
- Excellent ground stability
- Low friction loss
- Pressure gauge

### Product Options

- Storage bracket No. 3446B
- Triple stacked tips No. 2498
- Adjustable flow nozzle No. 5147
- Automatic nozzle No. 5150
- Deluge tip No. 489



**No. 3446S shown with optional No. 489 deluge tip**

## 3443 Mercury™ Quick Attack Monitor

- Compact size & weight
- Rated flows up to 500 gpm
- Quick deployment
- Better ground stability
- Unmanned use
- Rotation +/-20°
- Elevation 30° to 60° unmanned, and down to 20° when manned

### Product Options

- Storage bracket No. 3443B
- Stacked tips No. 2420
- Deluge tip No. 489
- SaberMaster™ nozzle No.1545
- Mercury nozzles No. 4445, 4447



**No. 3443 shown with optional No. 4445 nozzle**

Monitors & Nozzles

### Ordering Information

Part No.	Type	Inlet	Outlet
3446S	Single	2-1/2" - 5" FNH, 4", 5" Storz	2-1/2" MNH
3446D	Dual	2-1/2" or 3" FNH	2-1/2" MNH
3443	Single	2-1/2" FNH	2-1/2" MNH

# ■ ELKHART R.A.M. RAPID ATTACK MONITOR & R.A.N. NOZZLE ■

The R.A.M. from Elkhart Brass is specially designed for quick deployment and easy operation. A unique safety system automatically increases stability. The flow efficient waterway reduces turbulence for superior stream quality and reach.

## Features

### Safety System

- Harnesses nozzle reaction force to stabilize monitor
- Activates when reaction force becomes substantial (approximately 350 gpm)
- Activates below a nozzle angle of 35°
- Independent system operation which cannot be overridden

### Other Safety Features

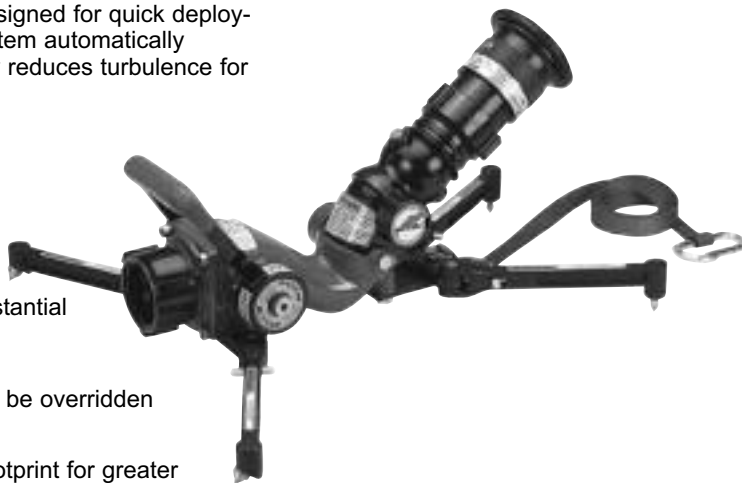
- Four fold-out forged legs provide a larger footprint for greater stability
- Attached safety strap with storage pouch is standard
- Lock pins hold valve in closed position to prevent accidental opening while moving unit on charged hose lines

### Stream Quality

- Smooth flow waterway means minimal friction loss (about 9 psi at 500 gpm)
- Built-in vane reduces turbulence for improved stream quality

### Capabilities

- Lightweight, compact monitor quick and easy to deploy
- Easily deployed and operated by a single firefighter
- Ergonomic U-shaped valve handle with non-slip grip also serves as a rugged carrying handle
- Compact, easy to use storage bracket provides secure mounting and quick deployment
- Up / down travel range from 20° to 63°
- Left / right travel 20° each way (40° total)



## Ordering Information

Part No.	Description
8296	Rapid attack monitor - R.A.M.
3896	Rapid attack nozzle (R.A.N.), fixed flow rate 500 gpm
3895	Rapid attack nozzle (R.A.N), selectable flow rate 250/350/500 gpm
8296-MB	Truck mount bracket
ST-197-A	Triple stacked tips, choice of 1", 1-1/4", 1-1/2" outlet sizes
181-A	Smooth bore nozzle, 1-3/8" discharge
282-A	Mini stream shaper

## R.A.N. - Rapid Attack Nozzle

When you combine the Elkhart Brass Rapid Attack Monitor with the Rapid Attack Nozzle the result is an unbeatable firefighting combination that operates unmanned.

### Features

- All-new integrated stream shaper reduces weight and bulk
- Flow rate for 500 gpm at 75 psi; 400 gpm at 50 psi
- Compact design
- Exceptional stream quality in both straight stream and fog patterns
- For more versatility, add smooth bore stacked tips with mini stream shaper in a choice of 1", 1-1/4", 1-1/2" outlet sizes or 1-3/8" discharge smooth bore nozzle



**No. 3423 shown with optional No. 5060 nozzle**



**No. 3416 shown with optional No. 5060 nozzle**

## Features

- Full 360° rotation in deck mode - 180° rotation with built-in safety stops in portable mode
- Vertical travel approaching 90° above to 15° below horizontal with built-in 35° safety stop
- Full 3" waterway with cast-in turning vanes in each elbow for maximum efficiency and lower friction loss (No more than 10 psi at 800 gpm)
- Multiple applications - Use as a portable monitor or add the direct mount flange for deck operations
- Ground base folds for easy storage in a standard compartment.
- Built-in pressure gauge
- Carbide spikes for extended wear

**Apollos Meet Insurance Services Office (ISO) Requirements In Deck Operation Only**

Monitors & Nozzles

## Apollo<sup>™</sup> Dual Inlet Monitor

Flows up to 1250 gpm in deck mode and 800 gpm in portable mode. Choice of ground bases: Two 2-1/2" or 3" female swivel inlets (must specify) x 2-1/2" threaded male outlet.

### Ordering Information

Part No.	Description
3423	Apollo dual inlet portable monitor and deck monitor, includes a ground base, liftoff and direct mount



**No. 3423**

## Apollo<sup>™</sup> Single Inlet Monitor

Flows up to 1250 gpm in deck mode and 1000 gpm in portable mode. Choice of ground bases: 4", 4-1/2" or 5" female swivel, 4" or 5" Storz inlet (must specify) x 2-1/2" threaded male outlet.

### Ordering Information

Part No.	Description
3416	Apollo single inlet portable monitor and deck monitor, includes a ground base, liftoff and direct mount



**No. 3416**

**CALL**  
800.833.0247  
281.479.9700

**FAX**  
800.282.4365  
281.479.6321

**CALL US TODAY**

# ELKHART STINGER® PORTABLE MONITORS

The model 8297 portable monitor is much more than it seems. The Stinger® 2.0 can be used as a deck gun when it's not needed as a portable monitor. It is certainly one of today's most versatile master stream appliances. The unique design of the Stinger® allows it to be easily removed from its portable base and placed on a top mount adapter or deck mount fixture for use as a deck gun. The lightweight compact, folding base can then be stored in a compartment, on a running board, on the tailboard, or even pre-connected in a hose bed.

## Features

- Durable, lightweight Elk-O-Lite® construction
- Flow efficient 3" waterway
- Fully enclosed worm gear
- Handwheel controlled vertical travel
- Safety stop at 35° above horizontal (can be overridden in deck mount mode)
- 95° vertical travel (in deck mount mode)
- 360° horizontal rotation (in deck mount mode)
- Convenient carrying handle
- Liquid-filled pressure gauge
- Rugged, cast almag legs with positive leg locks
- Self-adjusting ground spikes with carbide tips
- Single inlet model also available with inlet sizes of 4" or 4-1/2" NST or 4" Storz



No. 8297- 51 with optional No. CSW-L nozzle

## Stinger® 2.0 Single Inlet Portable Monitor

**Flows :** Up to 1250 gpm in deck mode,  
1000 gpm in portable mode

### Ordering Information

**Part No. Description**

8297-51 One 5" Storz inlet x 2-1/2" male NST outlet, includes portable single inlet ground base



No. 8297- 25 with optional No. 282A stream shaper and No. ST-194 quad-stacked deluge tips

## Stinger® 2.0 Dual Inlet Portable Monitor

**Flows:** Up to 1250 gpm in deck mode,  
800 gpm in portable mode

### Ordering Information

**Part No. Description**

8297-25 Two (2) female 2-1/2" NST swivel inlets x 2-1/2" male NST outlet, includes portable dual inlet ground base

## Stinger® RF

Keep personnel out of harm's way with a Stinger RF (radio frequency) 1250 gpm monitor. Completely wireless Stinger RF covers volatile exposure while you operate all monitor and nozzle functions, including oscillation, from up to 1/4 mile away.

### Ordering Information

**Part No. Description**

8297RF Stinger RF (radio frequency) 1250 gpm portable monitor, with two (2) female 2-1/2" swivel inlets, and SM-1250E master stream nozzle



No. 8297RF

DOOLEY TACKABERRY Fire and Rescue Equipment

GREAT - Products • Prices • People

# AKRON® APOLLO™ HI-RISER™ PORTABLE & DECK MONITOR

The Apollo™ Hi-Riser™ includes the outstanding features of the standard Apollo along with the added benefit of rising over obstacles on top of the fire truck. There are no inefficient extension devices or cumbersome telescoping pipes. Simply pull a pin and raise the discharge 24"\* above the deck. Also, the Apollo™ Hi-Riser™ rotates easily down to a low profile position for portable operation and comes complete with an automatic drain valve.

\* Measured from the deck to a point in the middle of the waterway positioned at 90°

- All units flow up to 1250 gpm in the deck mode
- Single inlet ground units flow up to 1000 gpm
- Dual inlet ground units flow up to 800 gpm

## 3431 Apollo™ Hi-Riser™ Single Inlet Portable and Deck Monitor

- Includes single inlet ground base, liftoff, and direct mount
- Specify inlet type and size: 4", 4-1/2" or 5" female swivel; 4" or 5" Storz inlet



No. 3431/3433 shown in deck mount mode with optional No. 5160 Akromatic® master stream nozzle

## 3433 Apollo™ Hi-Riser™ Dual Inlet Portable and Deck Monitor

- Includes a dual inlet ground base, liftoff, and direct mount
- Specify size: Two 2-1/2" or 3" female swivel inlets



No. 3401



No. 3503

## Apollo™ Accessories

### Ordering Information

Part No.	Description
3401	Universal monitor support flange for pipe extension above the deck
3503	Top mount. For use on top of a vehicle for deck gun operation or storage on a vertical surface
3502	Running board mount. Same as No. 3503 except with an "L" bracket for storage on a running board
3501	Direct mount cover. Designed to prevent deck mount from collecting debris when left exposed



No. 3501

Monitors & Nozzles

CALL 800.833.0247  
281.479.9700

FAX 800.282.4365  
281.479.6321

CALL US TODAY

Akron® Ozzie™ Oscillating Monitors have a powerful sweeping water stream for high performance attack and protection. Its unique water driven motor sweeps the outlet back and forth in a smooth, wave-like motion to provide cooling and protection while unmanned. They operate by themselves to provide greater flexibility by protecting exposures while personnel work elsewhere. It is suited for hazmat situations, protecting exposures, and attacking fires.

- Adjustable sweeping range
- Vertical travel from 35° (Style 922: 45°) to 90° above horizontal
- On/off knob can stop oscillation at any point
- Built in pressure gauge
- Lightweight Pyrolite® finish



## 911 Oscillating Monitor

- 2-1/2" swivel x 1-1/2" male
- Flows up to 375 gpm
- Sweeping range 30° on either side of center
- Height: 13-3/8", Width: 23-3/4", Length: 19-1/4", Weight: 29 lbs.

### Ordering Information

Part No.	Description
911	Ozzie™ oscillating monitor with single 2-1/2" NH inlet



**No. 911**  
Shown with No. 1724 Turbojet® tip

## 922 OzzieMaster™ Liftoff

- Designed for use with an Apollo™ Ground Base - must specify. All the benefits of the Style 911 Ozzie™ plus greater flow capabilities.
- 2-1/2" male outlet
- Flows up to 1000 gpm in single inlet ground base and direct mount, 750 gpm in dual inlet ground base
- Sweeping range 25° either side of center
- Height: 13", Width: 17-3/4", Length: 21", Weight: 27-1/2 lbs. less ground base and nozzle

### Ordering Information

Part No.	Description
922	OzzieMaster™ less nozzle and base



**No. 922**  
Shown with No. 1745 TurboMaster™ master stream nozzle mounted on Apollo™ dual inlet ground base

The DeckMaster Monitor is a technologically advanced, electrically controlled deck monitor with automated elevating capability. The unique design of the DeckMaster Monitor allows electric elevation and positioning 26" above the base of the flange for operation over obstructions with the push of a switch.

No. 3440 Shown deployed with optional No. 1577 SaberMaster™ nozzle

## Features

- 344° horizontal rotation with adjustable stops
- Vertical travel 90° above to 45° below horizontal
- Manual override for horizontal, vertical and elevation control
- Stow position set easily by the end user
- Automatic drain for freeze protection
- Diagnostic light for trouble-shooting
- Connection for deployed indicator light
- Available in 12 or 24 volt - must specify
- Obstacle avoidance available - must specify

## Ordering Information

### Part No. Description

3440 DeckMaster™ monitor, 3" flanged inlet

No. 3440 Shown in a typical stowed position



## Electric Riser for DeckMaster

Overcome increased heights of apparatus bodies, raised roof cabs, and other obstacles, with the electric riser for the DeckMaster monitor. It enables an added 12-inches of extension and is the perfect complement to the already superior versatility of the DeckMaster.

## Features

- 3" waterway
- 12" extension
- With unique three-piece design, the extremely compact device is only 17-1/4" when nested
- Can be utilized within pump modules that have limited space
- Electrically actuated (12 or 24 volt)
- Hard coated aluminum finish
- Manual override
- 5 year warranty

## DeckMaster™ Options

- Position feedback indicator
- 1577 SabreMaster™ or 5177 Akronmatic nozzle
- Wireless remote control
- Flush mount control box with stow
- Surface mount control box with stow
- Tether controller with 30 ft. cable and panel mount connector



No. 3406 Electric Riser for DeckMaster

Electric Riser shown in extended position with No. 3440 DeckMaster and No. 5075 Akronmatic 1250 nozzle



## Ordering Information

### Part No. Description

3406 Electric riser for DeckMaster™

CALL 800.833.0247  
281.479.9700

FAX 800.282.4365  
281.479.6321

CALL US TODAY

## Features

- High flow - 2000 gpm flow for greater knockdown
- Compact size - unique oval shape creates larger waterway while maintaining low profile
- Lower pump pressure - large waterway with cast-in vanes combined with an 80 psi nozzle means less pump pressure
- Manual override - faster, smoother and easier to use
- Simultaneous horizontal and vertical movement
- 348° horizontal travel with adjustable stops
- 135° vertical travel with adjustable stops
- Coated electronics to resist corrosion
- Control boxes with 3 toggle switches available for upper and lower control
- Optional joystick available - must specify
- Available in 12-volt or 24-volt
- Wireless remote control - must specify



**No. 3578**

**Shown with optional No. 5178 nozzle**

## StreamMaster™ XT

The same superior features of the StreamMaster plus the extended vertical travel. The extended travel outlet on the StreamMaster XT provides for 30 deg. increase in vertical range, enabling the ladder to be placed below the fire floor and deliver a stream into the involved area, keeping personnel and equipment in a safer position.

## Ordering Information

Part No.	Description
3578	StreamMaster™ monitor, 4" flange inlet x 3-1/2" NH outlet
3598	StreamMaster™ XT monitor, 4" flanged inlet x 3-1/2" NH outlet

## Options

1577	SaberMaster™ nozzle
5177	Akromatic® 1250 nozzle
5178	Akromatic® 2000 nozzle
3489	Shaper tip
3626	Air actuated foam nozzle
3499	Stacked tips



Wireless Remote Control Available



StreamMaster available with position feedback for Monitor Position Indicator option



**No. 3598**  
**Shown with No. 5178**  
**Akromatic Nozzle**

## Electric Gemini Monitor

The split waterway remote controlled Electric Gemini™ Monitor is a 1000 gpm monitor with low friction loss and a reliable electrical package.

### 3479 Electric Gemini™ Monitor

- Pyrolite® finish
- 135° vertical travel and 348° horizontal travel, both with adjustable stops
- 12 or 24 volt - must specify
- Friction loss: 10 psi at 1000 gpm
- Coated electronics for corrosion resistance
- Motor protection via current limiting
- Manual override
- Control boxes with 3 toggle switches - must specify for lower and/or upper control
- Wireless remote control - optional
- Complete with No. 5177 Akromatic Master Stream Nozzle

### Ordering Information - Gemini™ Electric Monitor

Part No.	Description
3479-12	12V w/upper and lower controls, nozzle and battery
3479-24	24V w/upper and lower controls, nozzle and battery

## TuckAway™ Monitor

The electric aerial TuckAway™ Monitor stows under the ladder for greater equipment protection. The TuckAway™, once deployed, is capable of wider horizontal and vertical travel for greater coverage.

### 3350 TuckAway™ Monitor

- Pyrolite® finish
- Standard pump panel control with one touch automated stow and deployment function
- User programmable (learned) stow/deploy positions
- 180° (90° left and right) horizontal travel
- 240° (+90° to -150°) vertical travel
- Cast-in turning vanes
- Coated electronics for corrosion resistance
- Diagnostic light for troubleshooting
- Connections for deployed indicator light
- Motor protection via current limiting
- Emergency stop and manual overrides
- Complete with No. 5177 Akromatic Master Stream Nozzle
- Wireless remote control - optional

**No. 3479  
shown with  
No. 5177 nozzle**



**No. 3350  
shown with  
No. 5177 nozzle**



Style	Height	Weight (lbs.)	Width	Inlet	Outlet	Flow (gpm)
3479	20"	46	13-1/4"	3" - 4" NPT or FL	2-1/2" NH	1000
3350	*14"	†63	17"	3" - 4" FL	2-1/2" NH	1000

\* In stowed position, † weight includes 5177 nozzle

### Ordering Information - TuckAway™ Aerial Monitor

Part No.	Description
3350-12-A	12V w/logic box, controller, less nozzle
3350-12-B	12V w/logic box, controller and No. 5177 nozzle
3350-24-A	24V w/logic box, controller, less nozzle
3350-24-B	24V w/logic box, controller with No. 5177 nozzle

**Options**

3600	Wireless remote control
3350-12AB	12V auxiliary battery w/4 ft. cord
3350-24AB	24V auxiliary battery w/4 ft. cord

## Features

- Allows for more effective use of personnel while reducing the potential risk of injury - controls can be mounted inside vehicle
- Designed for wildland fighting, de-icing and dust abatement operations
- Weather-tight connectorized harness
- Epoxy encapsulated control module
- Available in 12V or 24V or DC operation
- Available with either a low-cost toggle box controller or full-sized joystick with integrated water trigger valve
- Double ball races with stainless steel bearings
- Available high speed water valve kit operates from joystick trigger
- Electric motors features manual override
- 2" Fully-vented waterway
- Available normal or high-speed travel



### SPECIFICATIONS

<b>Max. GPM</b>	500	
<b>Inlet</b>	<b>Size</b>	<b>Type</b>
	2"	NPT (F)
<b>Outlet</b>	1.5" NHT	
<b>Controls</b>	Electric	
<b>Material/Finish</b>	ELK-O-Lite® with red urethane enamel	
<b>Friction Loss</b>	26 psi at 500 gpm 13 psi at 300 gpm 3.9 psi at 200 gpm	
<b>Travel</b>	V -45° to +90° (135°)	
	H 180° or 334°	
<b>Weight</b>	16.5 lbs.	
<b>Max. Power Requirement</b>	3.0 Amps at 12V DC (24V opt)	
<b>Ratings and Certifications</b>	CE	

## Ordering Information

Part No.	Description
8494-01-STD	Sidewinder® electric monitor, standard configuration includes toggle box controller and No. 5000-24E, 350 gpm fixed gallonage nozzle (optional gpm flows: 175, 200,250,400,475)



Sidewinder® Monitor also Available in Wireless RF Configuration

# ■ ELKHART SCORPION® MANUAL & SCORPION® RF DECK GUNS ■

## Common Features

- Durable, lightweight Elk-O-Lite® construction
- Liquid filled pressure gauge
- Fully-vaned waterflow for low friction loss and optimum stream quality
- Fully enclosed steel worm gears
- Flows up to 2000 gpm
- Inlet 4.0" - 150 lb. flange
- Outlet 3.5" NH male
- Friction loss 39 psi at 2000 gpm, 15 psi at 1250 gpm

## Manual Model Features

- Full 360° horizontal rotation while allowing the lower handwheel to remain stationary
- 10 vertical and 39 horizontal adjustable stop positions
- Includes No. 282A stream shaper

## Wireless RF Model Features

- Wireless electronic technology (W.E.T.®) eliminates the need to operate a monitor from atop an apparatus as recommended by NFPA 1901
- Patented rotating connector allows unlimited 360° rotation
- Wireless control allows operator to move away from the apparatus (up to 1/4 mile) for a better view of the water stream
- Available for license free use in North American and European ISM bands, 915 MHz and 868 MHz respectively
- 3-3/8" fully vaned waterway for low friction loss and optimum stream quality
- Requires just 16" of clearance - makes it ideal for tight spaces
- Includes No. 282A stream shaper, panel mounted controller and handheld controller

## Ordering Information - Manual Model

Part No.	Description
8294-02	Scorpion® double handwheel manually controlled deck gun, less nozzle

## Ordering Information - Wireless Models

Part No.	Description
8294-RF-PKG2	Scorpion® RF wireless deck gun with SM-1250E X-Stream® nozzle
8294-RF-PKG3	Scorpion® RF wireless deck gun with SM-1250E X-Stream® nozzle and No. ST-195 triple stacked tip
8294-RF-PKG4	Scorpion® RF wireless deck gun with SM-2000E nozzle and No. ST-195 triple stacked tip



No. 8294-02 w/optional No. SM-2000 nozzle



Handheld control



Panel mounted control



No. 8294-FR-PKG2

Monitors & Nozzles

CALL 800.833.0247  
281.479.9700

FAX 800.282.4365  
281.479.6321

CALL US TODAY

## Features

- Wireless electronic technology (W.E.T.®) eliminates the need to operate a monitor from atop an apparatus as recommended by NFPA 1901
- Flows up to 1250 gpm
- Friction loss 16 psi at 1250 gpm, 12 psi at 1000 gpm
- Only 2-wire installation (ground and power wires only)
- Wireless control allows operator to move away from the apparatus (up to 1/4 mile) for a better view of the water stream
- Dual speed horizontal drive allows fast and precise targeting of stream
- Motors and control system components sealed to NEMA 4 rating
- Patented rotating connector allows unlimited 360° rotation
- Patented easy on-scene programming of oscillation for exposure protection or hazardous materials suppression
- Available for license free use in North American and European ISM brands, 915 MHz and 868 MHz
- Unlimited number of monitors may be operated interference free
- 3-3/8" fully vaned waterway for low friction loss and optimum stream quality
- Requires just 16" of clearance - makes it ideal for tight spaces
- Includes No. 282A stream shaper, panel mounted controller and handheld controller



**No. 8294-RF-PKG2**

## Ordering Information

Part No.	Description
8500-3-01	Vulcan® RF wireless deck gun with 3" 150 lb. flange base, less nozzle
8500-4-01	Vulcan® RF wireless deck gun with 4" 150 lb. flange base, less nozzle
8500-3NPT-01	Vulcan® RF wireless deck gun with 3" NPT inlet, less nozzle
8294-RF-PKG1	Vulcan® RF wireless deck gun with 3" 150 lb. base and No. ST-191A stacked tip
8294-RF-PKG2	Vulcan® RF wireless deck gun with 3" 150 lb. base, No. SM-1250E X-Stream® nozzle and ST-191A stacked tip
8294-RF-PKG3	Vulcan® RF wireless deck gun with 3" 150 lb. base, No. SM-1250E X-Stream® nozzle and ST-191A stacked tip

**Handheld control**



**Panel mounted control**



## Features

- Durable, lightweight Elk-O-Lite® construction
- Flow efficient 4.0" vaned waterway
- Flows up to 2000 gpm
- Fully enclosed 90° hardened steel gear cases and totally sealed electric motors for protection from the elements
- Manual override on both motors (3/4" nut drive standard, knurled knob drive optional)
- Vertical travel is 135° (90° above to 45° below horizontal) with ten (10) safety stop options to meet NFPA 1901
- Horizontal travel is 347° with thirty seven (37) safety stop options to meet NFPA 1901
- Motors are planetary gear type for maximum torque and minimum power drain
- Finish red acrylic/urethane enamel
- P.I.C. chip design, electronic circuitry for 12V DC operation with normal 3.25 amp draw
- Current limiting motor protection with automatic reset
- Reverse polarity and auxiliary battery backfeed protection
- Circuit board moisture protection
- Emergency circuit override capability
- Circuit test indicator lights
- Primary control will override secondary control and has automatic reset
- Liquid filled pressure gauge (0-300 psi)
- Grease fittings for easy lubrication
- Compact design
- Furnished with SM-1000E or optional SM-2000E X-Stream® nozzle
- Inlet 4.0" - 150 lb. flange
- Outlet 3-1/2" NH Male

## Control System Panel Includes

- One (1) NEMA 4 relay box
- One (1) primary control box
- One (1) secondary remote control box

## Ordering Information

### Part No. Description

- |          |  |
|----------|--|
| 8294-04A | Scorpion® electric remote controlled deck gun w/manual override, two control boxes, SM-1000E nozzle with manual override.  |
| 8294-04B | Scorpion® electric remote controlled deck gun w/ manual override, two control boxes, SM-2000E nozzle with manual override. |

### Add-Ons

- |        |                                   |
|--------|-----------------------------------|
| ST-195 | Triple stacked tips               |
| 181-3A | Deluge tip                        |
| 80850  | Battery pack                      |
| 81221  | Handheld remote with 50 ft. cable |

**No. 8294-04B  
w/optional  
No. SM-2000E  
X-Stream nozzle**



**No. 81221  
Optional  
handheld remote**



## Select-O-Matic®

### Features

- The original “Thinking” nozzle
- Automatically adjusts to fluctuating flows
- Maintains effective stream and sufficient pressure
- Pattern easily changed with large control ring
- Durable, lightweight Elk-O-Lite® construction
- Constant flow
- Rugged stainless steel mechanism
- Heavy-duty rubber bumper
- Two flow ranges: 300 to 1000 gpm and 500 to 2000 gpm
- Optional inlet sizes

### Ordering Information

Part No.	Inlet	Flow @ 100 psi gpm
SM-1000	2.5” or 3.5”	300-1000
SM-2000	3.5”	500-2000



No. SM-1000



No. SM-2000  
X-Stream®

## Select-O-Flow®

### Features

- Durable, lightweight Elk-O-Lite® construction
- Constant flow/select gallonage
- Excellent straight stream quality
- Pattern easily changed under flowing conditions
- Excellent for AFFF application
- Gallonage easily changed - under flowing conditions (even down to shutoff position)
- 3-1/2” swivel inlet
- Finish-hard anodized with chrome plated trim

### Ordering Information

Part No.	Inlet	Flow @ 100 psi gpm
CSW	2.5”	300-550-750
CSW-L	2.5”	500-750-1000-1250



No. CSW



No. CSW-L

## Akromatic® 2000

An automatic master stream is designed for flows from 500 gpm to 2000 gpm - all at an operating pressure of only 80 psi - thus requiring lower pump pressure while maintaining maximum flow.

- Standard flow rate: 500-2000 gpm
- Optional flow rate: 500-1500 gpm
- 3-1/2" swivel inlet

### Ordering Information

Part No.	Description
----------	-------------

- |      |   |
|------|---|
| 5070 | Akromatic® 2000, with manual pattern control  |
| 5178 | Akromatic® 2000, with 12V or 24V electric pattern control, manual override and built-in stream shaper |



**No. 5178**

## Akromatic® 1250

- Standard flow rate: 250-1250 gpm
- Optional flow rate: 250-1000 gpm
- Both nozzles have built-in stream shaper
- No. 5177 has manual override
- 2-1/2" or 3-1/2" swivel inlet

### Ordering Information

Part No.	Description
----------	-------------

- |      |   |
|------|---|
| 5160 | Akromatic® 1250, with manual pattern control              |
| 5177 | Akromatic® 1250, with 12V or 24V electric pattern control |



**No. 5177**

## SaberMaster™ 1250

The SaberMaster™ 1250 makes remote controlled monitors truly remote because you can now easily, with the flip of a switch, change from solid bore to adjustable fog flow streams without shutting down.

- Standard flow rate: 1250 gpm
- Optional flow rate: 1000 gpm
- Built-in stream shaper
- 2-1/2" or 3-1/2" swivel inlet

### Ordering Information

Part No.	Description
----------	-------------

- |      |  |
|------|--|
| 1577 | SaberMaster™ 1250 with 12V or 24V electric pattern control |
|------|--|



**No. 1577**

## Turbomaster™

A family of multi-flow master stream adjustable to four constant flow settings.

- 2-1/2" swivel inlet
- Spinning teeth for a full fog pattern
- Pattern detents for more positive stream positioning

### Ordering Information

Part No.	Description
----------	-------------

- |      |   |
|------|---|
| 1745 | Turbomaster™, 250-400-550-750 gpm flow settings   |
| 1755 | Turbomaster™, 500-750-1000-1250 gpm flow settings |
| 1757 | Turbomaster™, 350-500-750-1000 gpm flow settings  |



**No. 1755**

## Elkhart Hydro-Foam® Nozzles

- Available in two gallonages. The HF-350 (350 gpm) is pre-set for 6% proportioning but can be easily changed to 3% or 1%. The HF-500 (500 gpm) is pre-set for 3% proportioning and can be changed to 1%
- Available in either cast brass or chrome plated cast brass (-C), or Elk-O-Lite® (-E)
- Provided with 9 ft. of clear vinyl pick-up hose

### Ordering Information

#### Part No. Description

HF-350	Hydro-Foam® master stream nozzle, 350 gpm, 2-1/2" NH swivel base
HF-500	Hydro-Foam® master stream nozzle, 500 gpm, 2-1/2" NH swivel base



No. HF-500-C

## Elkhart Selectable Flow and Automatic Flow HF Nozzles

### Features

- Compatible with AFFF or Class A concentrates
- Each nozzle can be set to educt at 1% or 3% (1/2% or 1% optional)
- No. CSW-C-HF perfect for use with R.A.M. or Stinger
- Provided with 8 ft. of pick-up hose

### Ordering Information

#### Part No. Description

CSW-C-HF	Selectable flow HF nozzle: 350-500-750 gpm, 2-1/2" NH swivel inlet
SM-2000-HF	Automatic flow HF nozzle: 500-2000 gpm (1% eductor setting only), 3-1/2" NH swivel inlet
SM-1000-HF	Automatic flow HF nozzle: 250-1000 gpm, 2-1/2" NH swivel inlet (not shown)



No. CSW-C-HF



No. SM-2000-HF

## Akron® Akrofoam™ Nozzle

- Pyrolite® construction
- Spring loaded baffle that allows flow setting selection of 350, 500, 750 or 1000 gpm with a simple push and turn of the baffle head
- Quick connect, adjustable metering head with pick-up rates of 1% & 3%, plus 6% for 350 and 500 gpm and 1% or 3% for 750 and 1000 gpm
- Provided with 10 ft. of pick-up hose and 40" tube

### Ordering Information

#### Part No. Description

4475	Akrofoam™ master stream nozzle, 500, 350, 750, & 1000 gpm, 2-1/2" swivel inlet
------	--



No. 4475

## Discharge Pipes

Designed with built-in fins to maximize reach on any monitor.

- Cast brass and chrome available in all sizes
- Two lengths available 10-1/2" and 16"

### Ordering Information

Part No.	Size	Thread	Length	Material
3488-A	2-1/2" x 2-1/2"	NH	10-1/2"	C,CP,P
3488-B	3-1/2" x 2-1/2"	NH	10-1/2"	C,CP
3488-D	3-1/2" x 3"	NPSH	10-1/2"	P
488-A	2-1/2" x 2-1/2"	NH	16"	C,CP,P
488-B	3-1/2" x 2-1/2"	NPSH x NH	16"	C,CP
488-D	3-1/2" x 3"	NPSH	16"	P

Material Codes: C - Cast brass, CP - Chrome plated brass,  
P- Pyrolite®

### 2499 Quad Stacked Deluge Tips - Pyrolite®

- 2-1/2" Inlet
- Lightweight stacked tips for use with monitors  
Provides four orifice options in one tip

### 3499 Master Stacked Tips - Pyrolite®

- 3-1/2" Inlet
- Use with No. 3485 3-1/2" mini stream shaper

### 1420 Triple Stacked Tips - Pyrolite®

- 1-1/2" Inlet
- For attachment to 2-1/2" shutoff or playpipe

### 499 Triple Stacked Deluge Tips - Chrome

- 2-1/2" Inlet
- Used on brass monitors and deck pipes

### 2420 Triple Stacked Tips - Pyrolite®

- 2-1/2" Inlet
- For attachment to No. 2130 shutoff,  
or can be used on monitors

## Stacked Tips

### Ordering Information

Part No.	Length	Orifices	Base Threads
2499	16-7/8"	1-3/8" x 1-1/2" x 1-3/4" x 2"	2-1/2" NH or NPSH
3499	19-1/2"	2-1/4" x 2-1/2" x 2-3/4"	3-1/2" NH or NPSH
1420	8-1/4"	1" x 1-1/8" x 1-1/4"	1-1/2" NH
499	11-5/8"	1-3/8" x 1-1/2" x 1-3/4"	2-1/2" NH or NPSH
2420	9-5/8"	1" x 1-1/8" x 1-1/4"	2-1/2" NH or NPSH



No. 3488-A



No. 488-A



No. 2499



No. 3499



No. 1420



No. 499



No. 2420

# ELKHART SMOOTH BORE TIPS

## Single Smooth Bore Tips - Deluge



**No. 181**  
• Classic deluge tip

## Stacked Smooth Bore Tips - Handline



**No. ST-185A**

## Stacked Smooth Bore Tips - Handline



**No. 187-A**  
• More compact than other tips

## Stacked Smooth Bore Tips - Master Stream



**No. ST-194**  
• Leader threading



**No. 188-A**  
• Longer tip for improved stream quality  
• Bumper



**No. ST-195**  
• Leader threading



**No. ST-197-A**  
• Leader threading

## Ordering Information - Smooth Bore Single Tips

Part No.	Type	Base Size	Finish	Available Discharge Diameter
181	Deluge	2-1/2"	Brass	1", 1/8", 1-1/4", 1-3/8", 1-1/2", 1-5/8", 1-3/4", 1-7/8", 2", 2-1/4"
187-A	Handline	1-1/2"	Elk-O-Lite®	1/2", 5/8", 11/16", 3/4", 7/8", 15/16", 1", 1-1/8", 1-1/4"
188-A	Handline	1-1/2"	Elk-O-Lite®	7/8", 15/16", 1", 1-1/16", 1-1/8", 1-1/4"

## Ordering Information - Smooth Bore Stacked Tips

Part No.	Type	Base Size	Finish	Available Discharge Diameter	Available 2nd Discharge Diameter	Available 3rd Discharge Diameter	Available 4th Discharge Diameter
ST-185-A	Handline	1-1/2"	Elk-O-Lite®	15/16", 1-1/8"	1/2"	-	-
ST-194	Master Stream	2-1/2"	Elk-O-Lite®	2"	1-3/4"	1-1/2"	1-3/8"
ST-195	Master Stream	3-1/2"	Elk-O-Lite®	2-1/2"	2-1/4"	2"	-
ST-197-A	Master Stream	2-1/2"	Elk-O-Lite®	1-1/2"	1-1/4"	1"	-

DOOLEY TACKABERRY Fire and Rescue Equipment

GREAT - Products • Prices • People